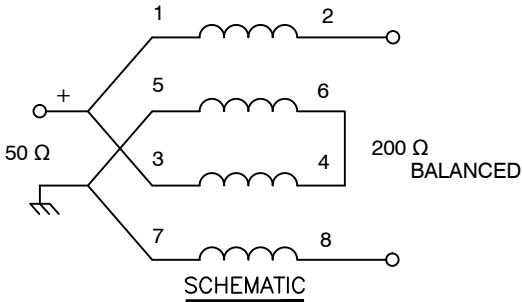


The information contained in this drawing is the sole property of CWS Coil Winding Specialist. Any reproduction in part or whole without written permission of CWS Coil Winding Specialist is prohibited.



POSITIVE PHASE 1 TO 2 TERMINALS

REVISION HISTORY						
REV	ECN	DESCRIPTION	SIGN & DATE			
			BY	DATE	CHK	DATE
B		PRODUCTION RELEASE	TDK	2/07/06	JLAU	2/07/06
C		UPDATED AND ROHS COMPLIANT	RJL	1/28/11	JLAU	1/28/11
D		UPDATED AND APPLICATION DESCRIPTION	EO	8/05/13	JLAU	8/05/15
E1	151215	UPDATED POWER LEVEL & LABELING	AK	12/15/15	JLAU	12/15/15

6 BUILT TO ROHS COMPLIANCE

OFF CENTER FED ANTENNAS.  
MULTI-BAND ANTENNA.  
AT 0.17 WAVELENGTH ABOVE GROUND.  
AND FOLDED DIPOLE USING 300 Ω RIBBON  
FOR LOG PERIODIC BEAMS ANTENNAS  
APPLICATIONS:

5

WHERE SHOWN  
MARK PART NUMBER AND REVISION

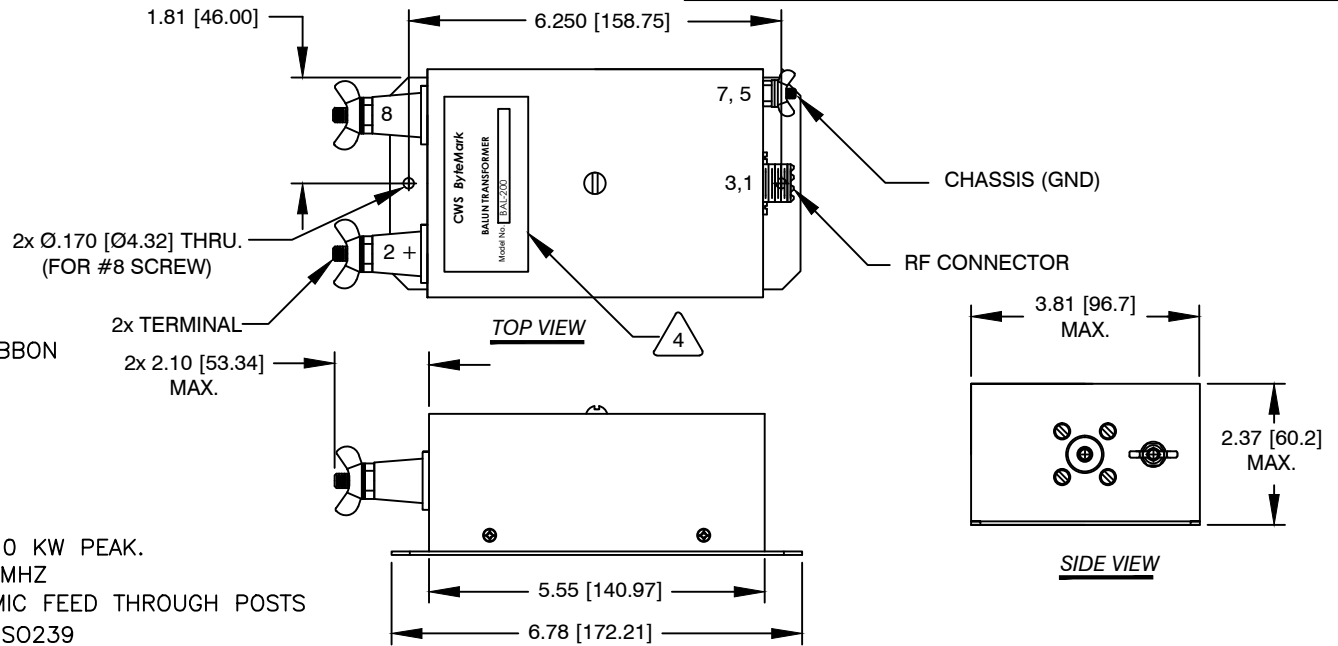


EFFICIENCY = 99%  
POWER RATING: 5 KW CONTINUOUS, 10 KW PEAK.  
FREQUENCY RANGE: 1.0 MHZ TO 54 MHZ  
TO BALANCED OUTPUT: 200 Ω, CERAMIC FEED THROUGH POSTS  
UNBALANCED CO-AXIAL INPUT: 50 Ω SO239  
IMPEDANCE MATCH RATIO: 1:4, CURRENT TYPE

3 SPECIFICATIONS:

WIRE: UL RECOGNIZED 200°C RATED MAGNET WIRE  
CWS BYTEMARK OR OTHER APPROVED PART  
2 CORE: COATED FERRITE TOROID, K MATERIAL  
1 MATERIAL: UL RECOGNIZED 94V-0 FOR FLAMMABILITY

NOTES: UNLESS OTHERWISE SPECIFIED, READ TEXT FROM BOTTOM UP.



FRONT VIEW

SIDE VIEW

UNLESS OTHERWISE SPECIFIED	
DIMENSIONING AND TOLERANCE PER ANSI Y14.5M	
ALL DIMENSIONS ARE IN INCHES AND [MILLIMETERS].	
TOLERANCE INCHES: .XXX=±.010 .XX=±.020 <math>\sphericalangle=±0°30'</math>	
TOLERANCE METRICS: .XXX=±.254 .XX=±.51 <math>\sphericalangle=±0°30'</math>	
ANGLE PROJECTION	
DO NOT SCALE DRAWING	

PARTS LIST			
AUTOCAD	X	www.coilws.com	CWS Coil Winding Specialist Inc. 353 West Grove Avenue Orange, CA 92865, USA
SOLIDWORKS			
DRAWN	TDK	sales@coilws.com	TITLE: Transmission Line Transformer Balun Transformer 50 Ω : 200 Ω
CHECKED	JLAU		
ENGR.	KSUM	SIZE	DWG. NO.
APPR.	JLAU	B	BAL-200
		SCALE	NOT_TO_SCALE
		SHEET 1 OF 1	