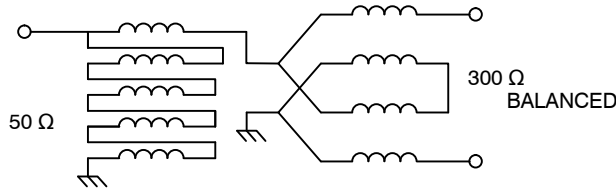


The information contained in this drawing is the sole property of CWS Coil Winding Specialist. Any reproduction in part or whole without written permission of CWS Coil Winding Specialist is prohibited.

REVISION HISTORY						
REV	ECN	DESCRIPTION	SIGN & DATE			
			BY	DATE	CHK	DATE
A	130619	PRODUCTION RELEASE	AK	6/19/13	BO	6/19/13
B	130619	UPDATED APPLICATION DESCRIPTION	EO	8/19/13	BO	8/19/13



**SCHEMATIC**

6 BUILT TO ROHS COMPLIANCE TO A 50 Ω UNBALANCED LINE. WITH 300 Ω UNBALANCED LOAD FOR OFF-CENTER FED ANTENNAS

5 APPLICATIONS:

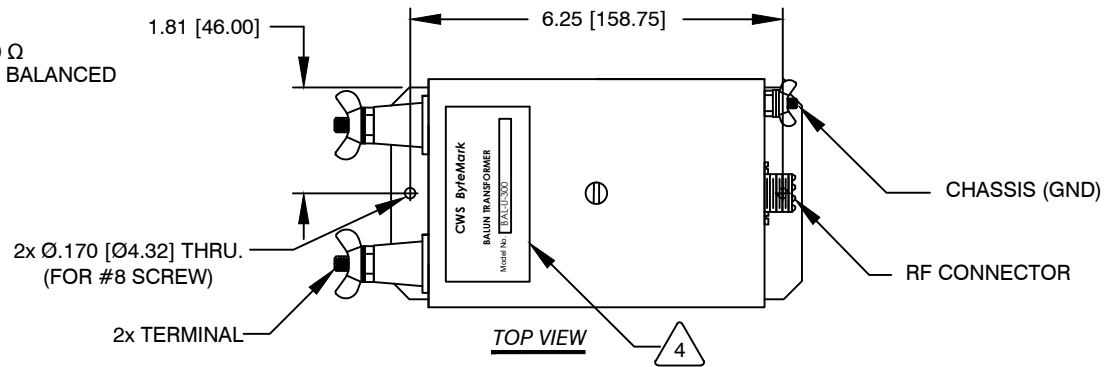
WHERE SHOWN MARK PART NUMBER AND REVISION

EFFICIENCY = 97%  
 POWER RATING: 1 KW CONTINUOUS, 2 KW PEAK.  
 FREQUENCY RANGE: 1.5 MHZ TO 30 MHZ  
 CERAMIC FEED-THROUGH POSTS  
 BALANCED/UNBALANCE OUTPUT: 300 Ω  
 UNBALANCED CO-AXIAL INPUT: 50 Ω SO239  
 BOTH CURRENT & VOLTAGE BALUN  
 IMPEDANCE MATCH RATIO: 1:6

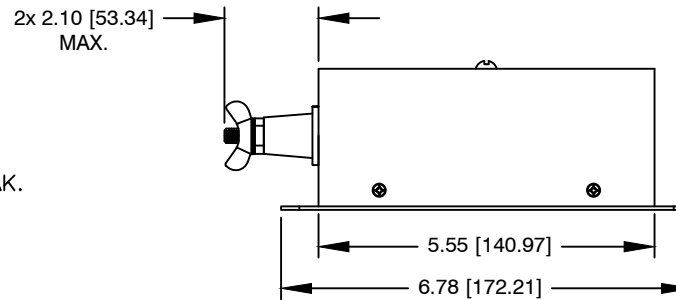
3 SPECIFICATIONS:

WIRE: UL RECOGNIZED 200°C RATED MAGNET WIRE  
 CWS BYTEMARK OR OTHER APPROVED PART  
 CORE: COATED FERRITE TOROID, K MATERIAL  
 MATERIAL: UL RECOGNIZED 94V-0 FOR FLAMMABILITY

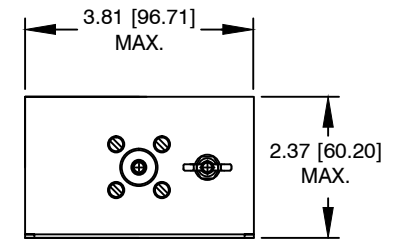
NOTES: UNLESS OTHERWISE SPECIFIED, READ TEXT FROM BOTTOM UP.



**TOP VIEW**



**FRONT VIEW**



**SIDE VIEW**

QTY	CODE IDENT	MFG. P/N	DESCRIPTION	ITEM NO.
<b>PARTS LIST</b>				
AUTOCAD	X		www.coilws.com sales@coilws.com	CWS Coil Winding Specialist Inc. 353 West Grove Avenue Orange, CA 92865, USA
SOLIDWORKS				
DRAWN	AK	6/16/13	TITLE: Transmission Line Transformer For Balanced and Unbalanced Load 50 Ω : 300 Ω	
CHECKED	DT	6/16/13		
ENGR.	BO	6/16/13		
APPR.	BO	6/16/13		
SIZE	DWG. NO.	B BAL-U-300		REV B
SCALE	NOT_TO_SCALE			SHEET 1 OF 1

UNLESS OTHERWISE SPECIFIED  
 DIMENSIONING AND TOLERANCE PER ANSI Y14.5M  
 ALL DIMENSIONS ARE IN INCHES AND [MILLIMETERS].  
 TOLERANCE INCHES:  
 .XXX=±.010 .XX=±.020 <math>\angle = \pm 0^{\circ}30'</math>  
 TOLERANCE METRICS:  
 .XXX=±.254 .XX=±.51 <math>\angle = \pm 0^{\circ}30'</math>  
 ANGLE PROJECTION  
 DO NOT SCALE DRAWING