

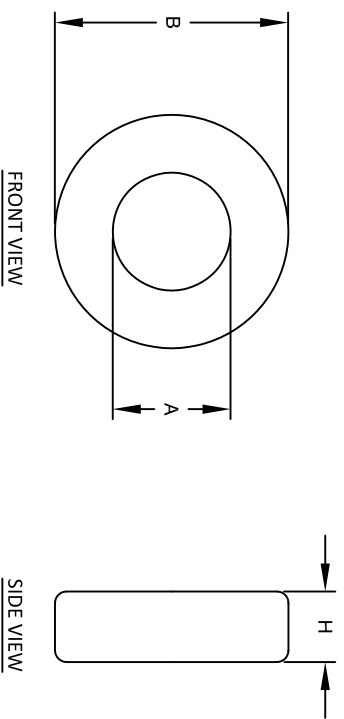
The information contained in this drawing is the sole property of Coil Winding Specialist Inc (CWS). Any reproduction in part or whole without written permission of CWS is prohibited.

REVISION HISTORY						
REV	ECN	DESCRIPTION	BY	DATE	CHK	DATE
A		INITIAL RELEASE	TN	05/09/18	JL	05/09/18

- Features**
- High Permeability (30-80k), high impedance Z and high insertion attenuation
  - Suppresses the asymmetrical EMI currents
  - High saturation Flux density can reduce over voltage peaks
  - High Curie Temperature and excellent temperature characteristics
- Core Type: Nanocrystalline. NanoByte™

Electrical Specifications				
Item	Units	Condition	Value	Tol.
$A_L$	$\mu\text{H}/\text{N}^2$	@ 10KHz	64600	N/A
$A_L$	$\mu\text{H}/\text{N}^2$	@ 100KHz	25110	N/A
Permeability @ H peak 3.16 mA/cm	$\mu_0$	@ 10KHz	60000	±25%
$A_e$	$\text{cm}^2$	N/A	2.930	±10%
$L_e$	cm	N/A	2.220	±10%
$L_e \times N$	mA x turn	@ 10KHz	50	±10%
$L_e \times N$	mA x turn	@ 100KHz	50	±10%
Saturation Flux Density	T	N/A	1.200	Max.
Curie Temperature	$^{\circ}\text{C}$	N/A	600	Nom.

Dimensions and Tolerances				
	in	tol.	mm	tol.
<b>Core Only</b>				
B (Outer Diameter)	3.20	±0.40	81	±1
A (Inner Diameter)	2.44	±0.40	62	±1
H (Height)	1.22	±0.40	31	±1
<b>With Case On</b>				
B (Outer Diameter)	3.30	±0.40	85	±1
A (Inner Diameter)	2.28	±0.40	58	±1
H (Height)	1.38	±0.40	35	±1
Weight:	374 grams			



CODE IDENT	MFG. P/N	DESCRIPTION	ITEM NO.
<b>PARTS LIST</b>			
AUTOCAD SOLIDWORKS SIGN	X	www.coi/ws.com www.nanoByte.com	CWSBYTEMARK
DRWN TN	05/09/18	353 W Grove Ave Orange, CA 92665	
DESD JL	05/09/18	Nanocrystalline Core	
ENGR. JM	05/09/18	SIZE (INCH. NO.)	REV
APPR. JL	05/09/18	CN80-60-30F	A
DO NOT SCALE DRAWING		SCALE	SHEET 1 OF 1