

The information contained in this drawing is the sole property of Coil Winding Specialist Inc (CWS). Any reproduction in part or whole without written permission of CWS is prohibited.

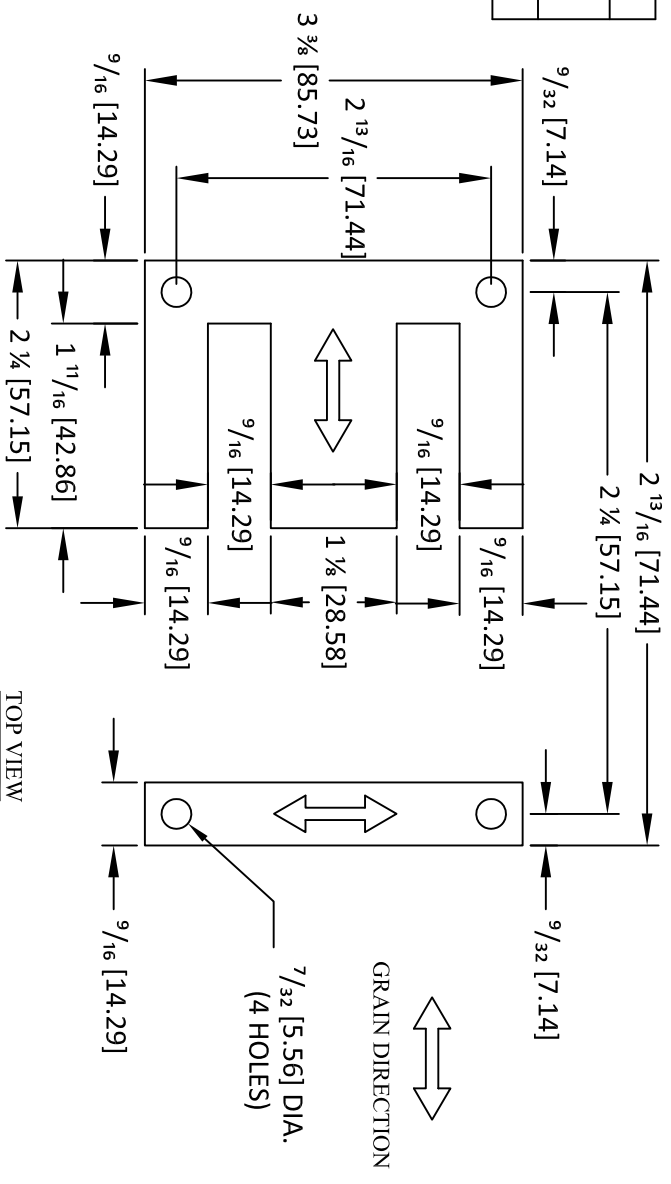
Material = M19
Non-oriented Silicon steel
 sheets with 1.8% to 3% Si.

Electrical Steel Specifications			
Gage	Thickness	Approximate Sets Per Inch	Lbs. Per 1,000 Sets
26	0.0185	54.05	37.676
			Sets per Pound
			26.5

Technical Specifications			
Window Area	0.949 in ²	6.124 cm ²	
Magnetic Path Length	6.750 in	17.145 cm	
Cross Section Area, Solid	1.266 in ²	8.166 cm ²	
Volume Solid	8.232 in ³	134.982 cm ³	

Dimensional Tolerances		
	Inches	Millimeters
With Grain	± 0.003	± 0.0762
Cross Grain	± 1/32	± 0.79375
All Lengths	± 0.005	± 0.127
Center Leg Size	± 0.003	± 0.0762
Window Size	± 0.003	± 0.0762
Hole Locations	± 0.003	± 0.0762

REVISION HISTORY					
REV	ECN	DESCRIPTION	BY	DATE	AP. DATE
A		Production release	JL	7/28/17	JL 7/28/17



Note:
 Dimension in inches [mm]

CODE IDENT	MFG. P/N	DESCRIPTION	ITEM NO.
		PARTS LIST	
AUTOCAD SOLIDWORKS	X	www.coilws.com www.cwsbytemark.com	CWSBYTEMARK 353 West Grove Ave. Orange, CA 92865
DRAWN	DATE	TITLE:	
JL	7/28/17	EI-112 Lamination	
ENGR.	DATE	SIZE	DWG. NO.
JL	7/28/17	B	EI-112 26 M19
APPR.	DATE	SCALE	REV
JL	7/28/17	N/A	A